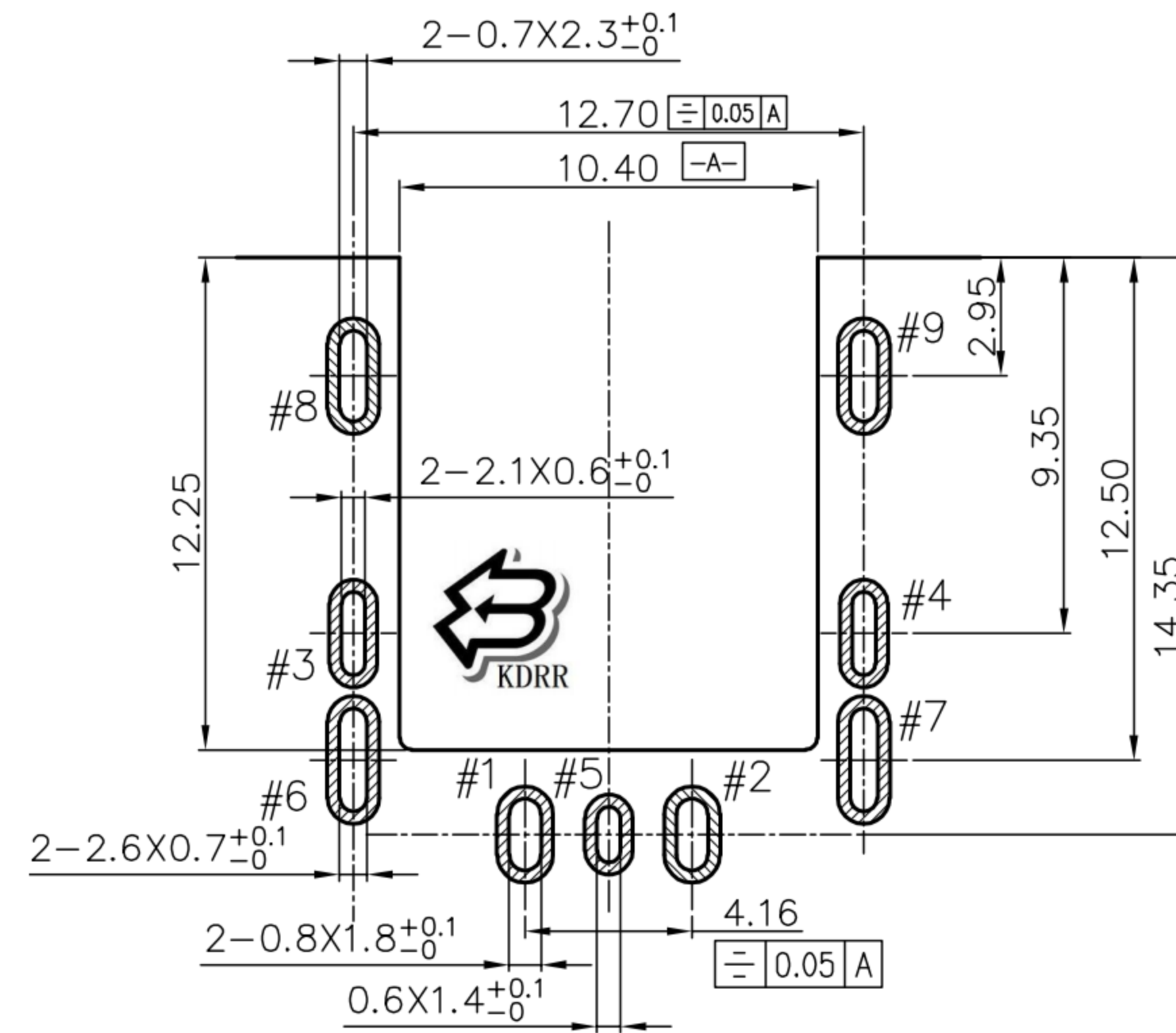
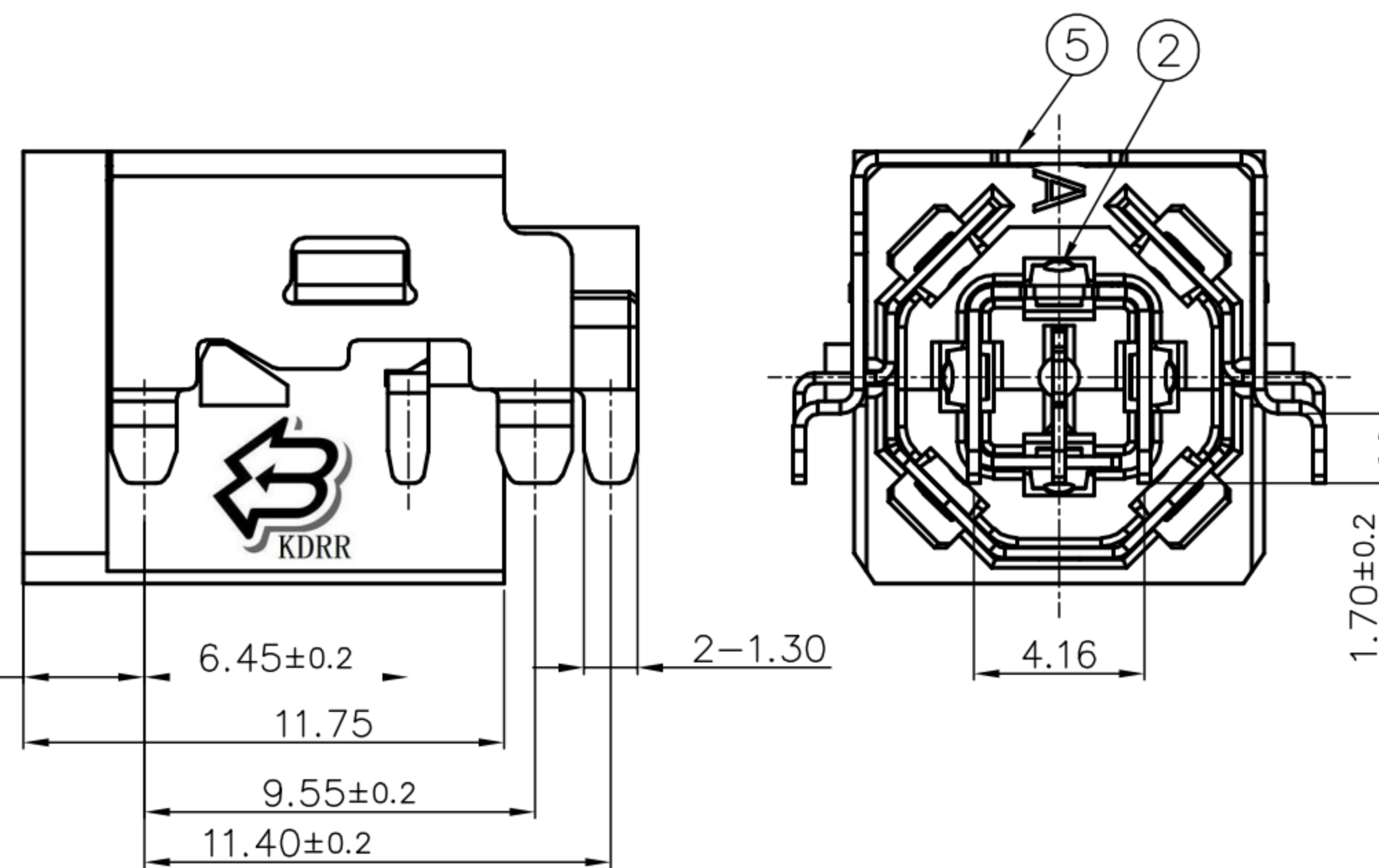
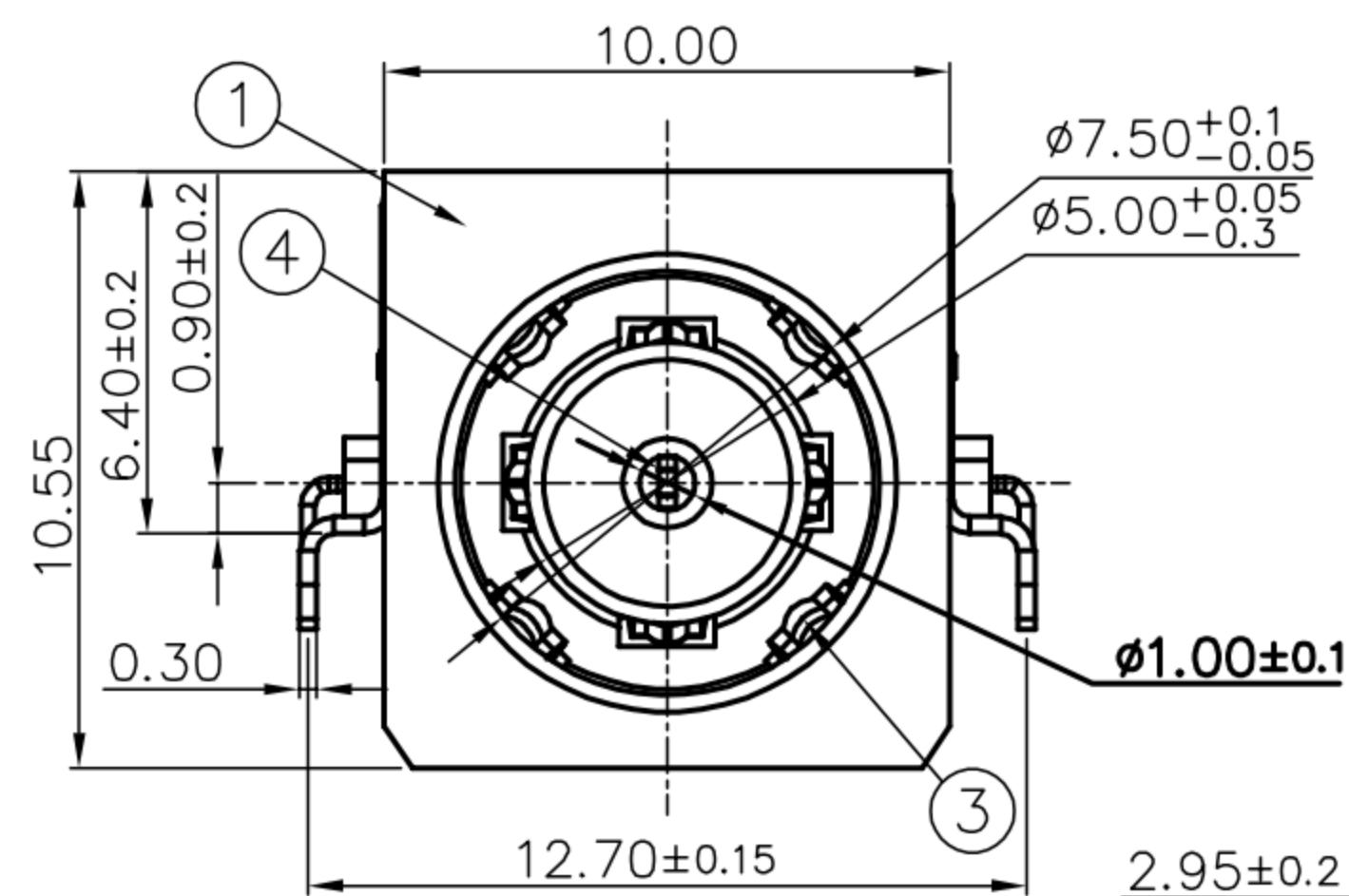
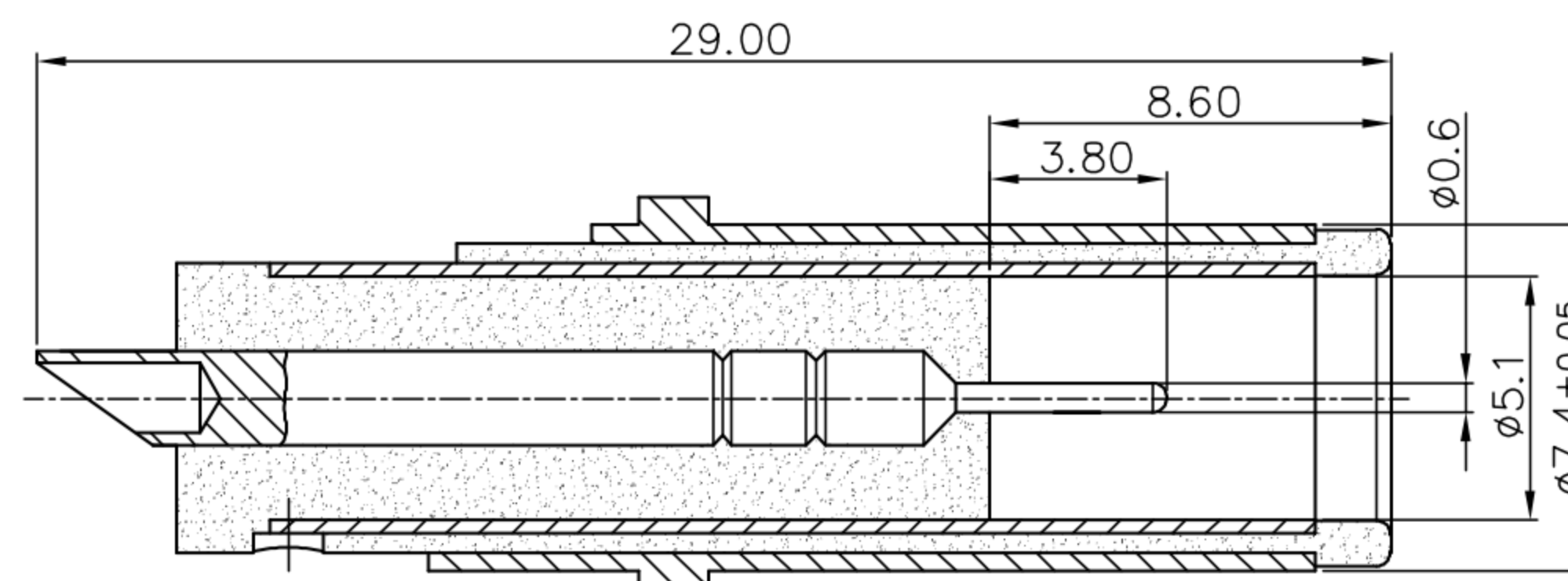
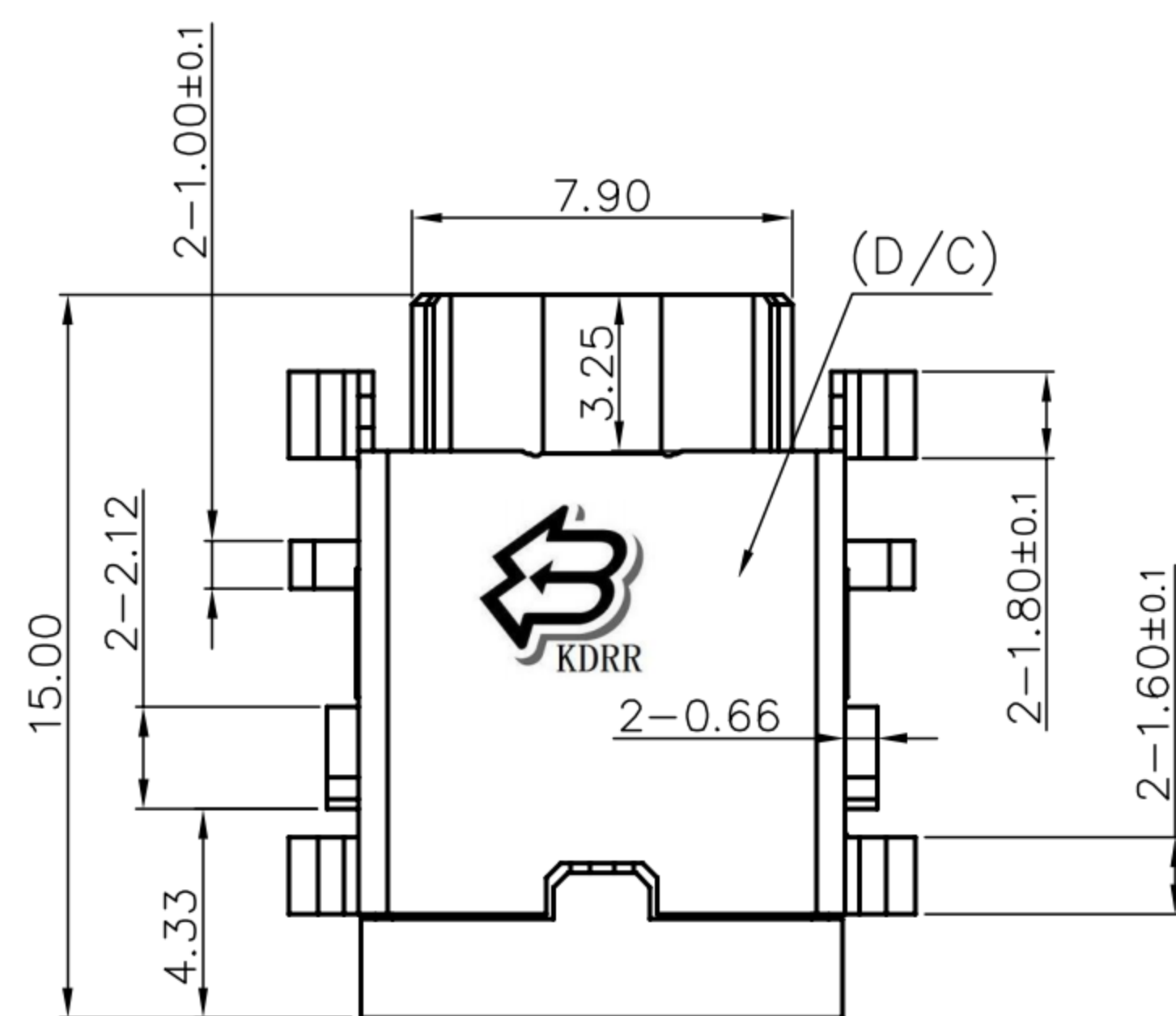
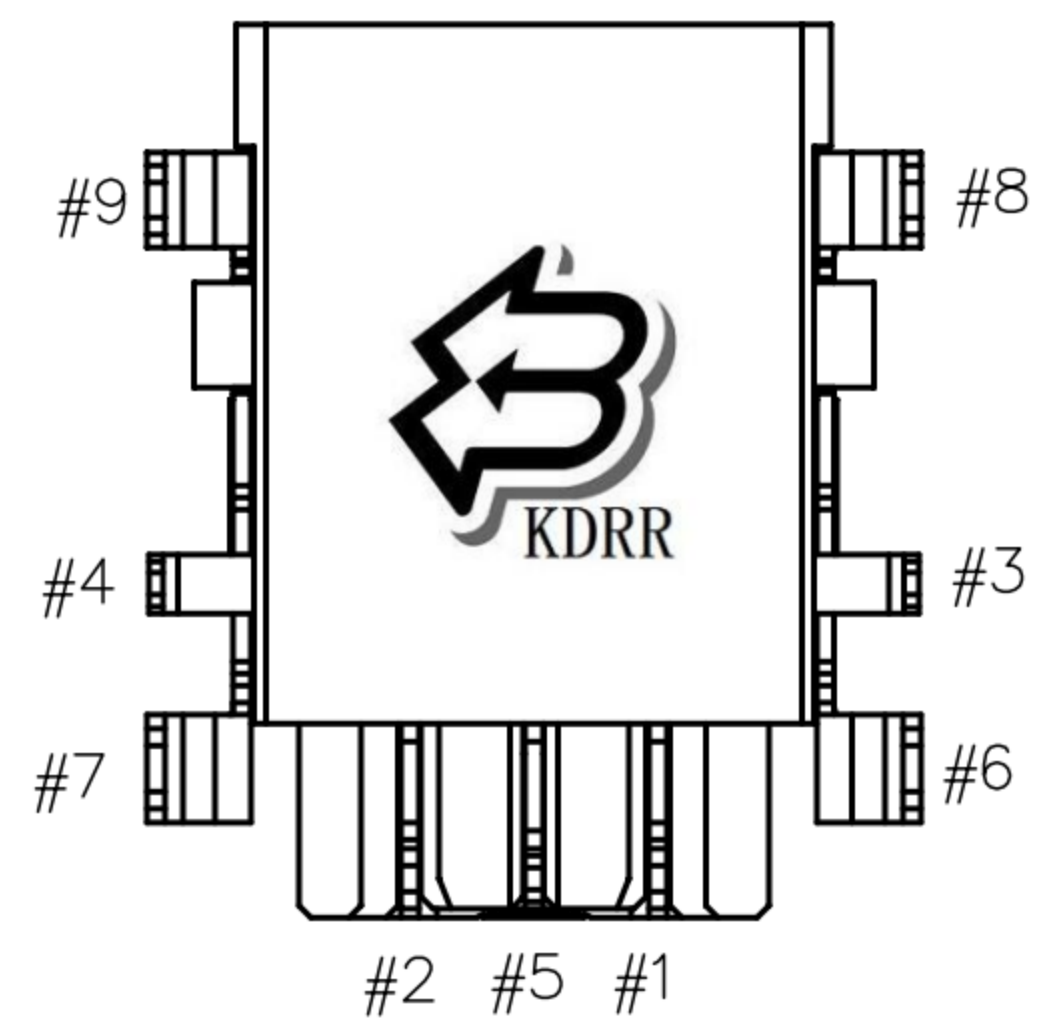




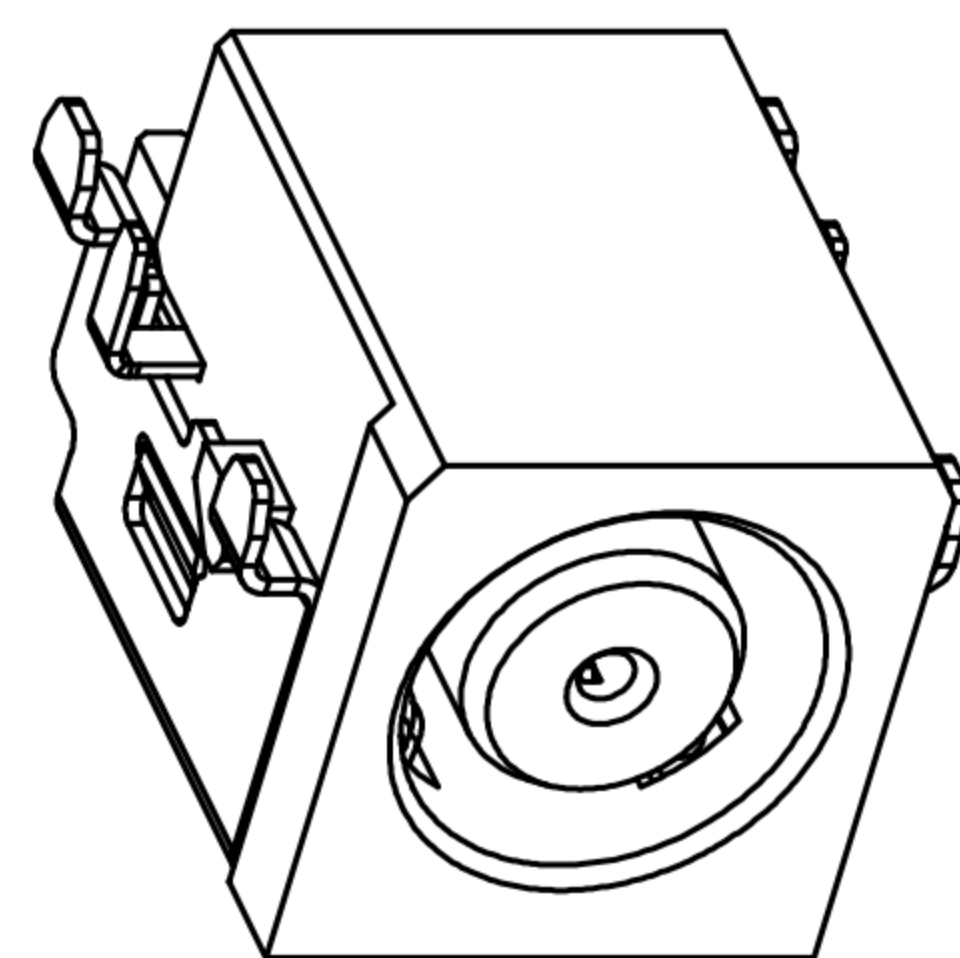
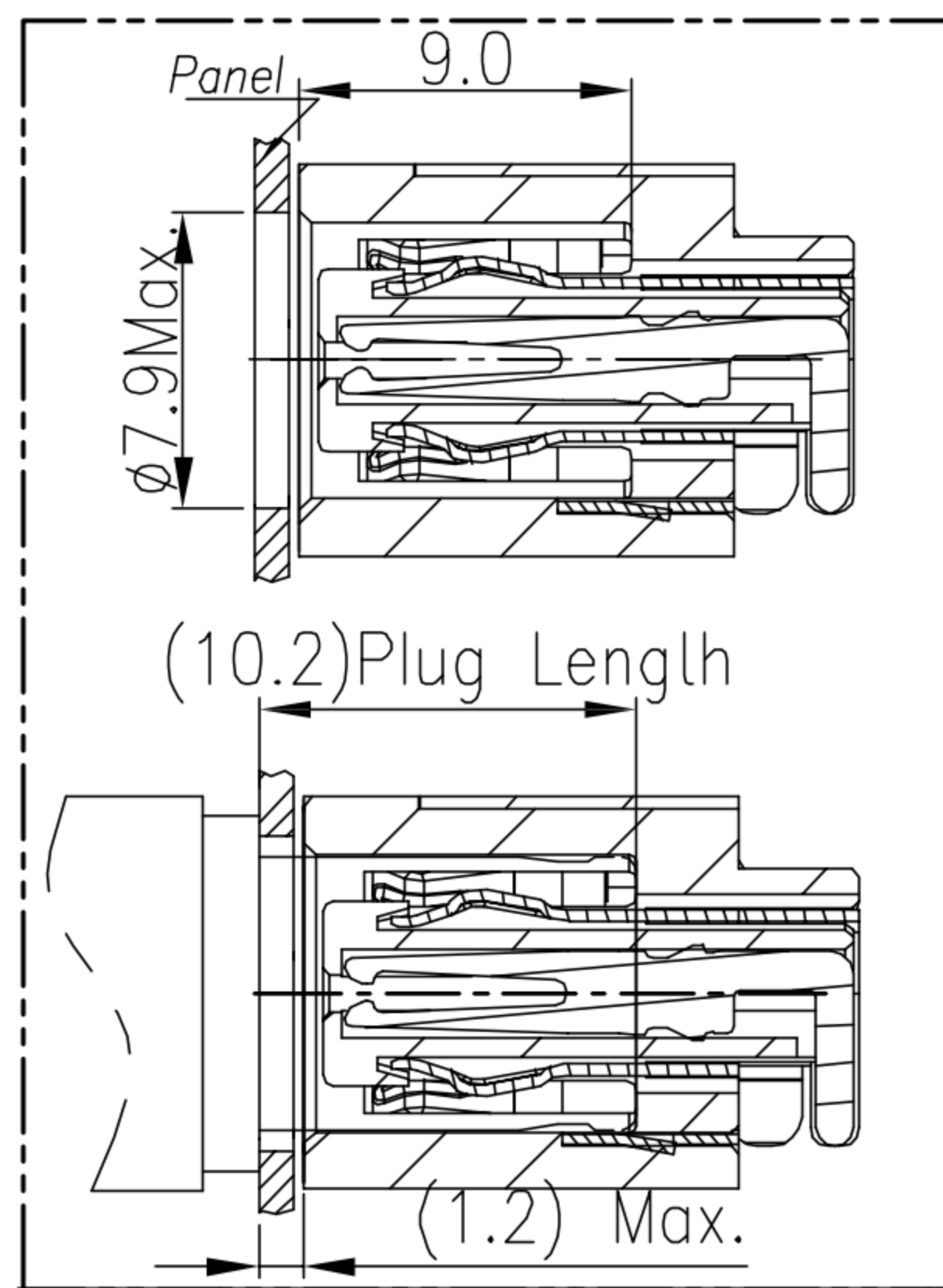
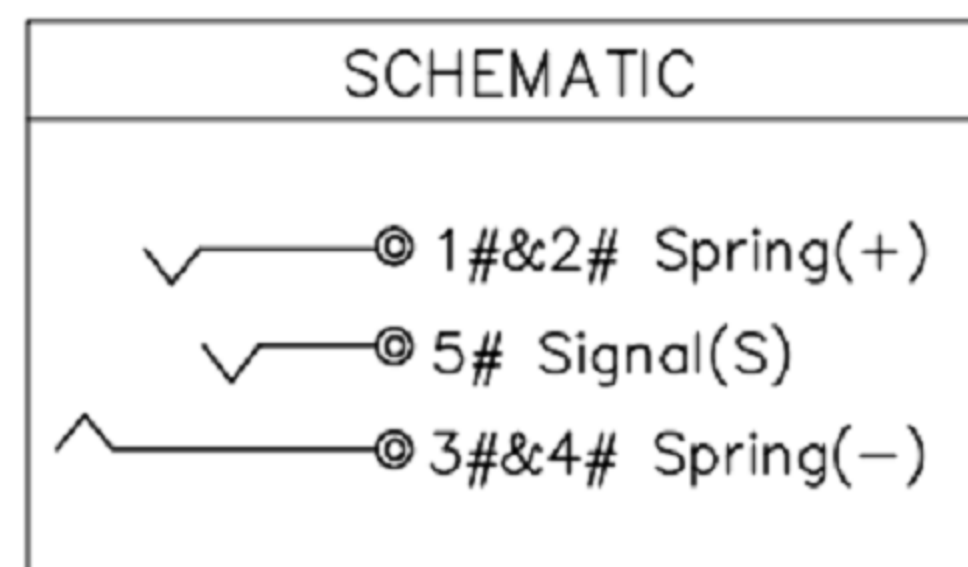
Ordering information:  
 GD-DCT-02090  
 No.  
 (2):Schematic option: G  
 (3):Center pin diameter:  
 A=φ0.6  
 (4):Material of housing:  
 10=PA10T  
 (5):Housing color:  
 0A=Black (Standard)  
 (6):Terminal plating  
 G=Gold (Au 3u")  
 (7):Special option:  
 0=No special option  
 (8):Packing mode:  
 1=Tape&Reel packing



P.C.B LAYOUT  
TOP VIEW



MATING PLUG: OD φ7.4, ID φ0.6  
TOLERANCE: ±0.05mm



- Specification:
- Rating : DC 42V 10A;
  - Contact resistance: ≤50mΩ ;  
After test: ≤100mΩ
  - Insulation resistance: ≥100MΩ (500VDC);  
After test: ≥50MΩ
  - Withstand voltage: 500VAC ;
  - Insertion and extraction force: 3.5N~30N;
  - life test: 5000cycles min;
  - Operation temperature range: -20℃~70℃;
  - Preservation temperature range: -40℃~85℃;

NO.	DESCRIPTION	Q' TY	MATERIAL	REMARK
⑤	Shielding	1	SUS 304 t=0.30	Ni plating
④	Signal	1	C5210R-EH t=0.30	Contact Area Au 3u" Min
③	Spring(-)	1	C5210R-EH t=0.25	Solder Tail Area Sn 120u"
②	Spring(+)	1	C5210R-EH t=0.30	All over Ni 50u" Min
①	Housing	1	PA10T (R630NH), UL94 V-0	Black

ITEM NO.	DESCRIPTION	DRAWN	DATE
4	更新材質	Jack	050420
3	更新尺寸	Jack	121119
2	更新尺寸標示位置	Jack	082719
1	更新尺寸	Jack	080519

**东莞市高迪电子有限公司**  
 Dong Guan KDRR Electronic Switch Jack Co., Ltd.

TOLERANCE UNLESS OTHERWISE STATED:
 

Up to 5	±0.2
Above 5 ~ 15	±0.3
Above 15 ~ 30	±0.4
Above 30 ~ 50	±0.5
Angle	±0.3°

3RD. ANGEL'S UNITS MM

DRAWN BY:	DATE	MAT'L	TITLE	JACK
Ming Ming Zou	6/8/23			
CHECKED BY:	DATE	FINISH	MODLE	DC JACK
Ning Ning Su	6/8/23			
APPROVED BY:	DATE	SCALE	DWG NO.	GD-DCT-02090
Jia Xiang	6/8/23	1:1		
SHEET NO.	1 of 1	PART NO.		
				SIZE A4
				VER R4